

DELTA HLA (DMS-190/191)



OVERVIEW

The DeltaHLA is an independent pump station high level alarm, powered by 240V with a 6V battery backup in case of mains power failure. The alarm offers simple installation, requiring 4 fixings and connection of mains power, pump/s and a float switch. Status for 'All OK', high water alarm, and mains failure are clearly displayed on the front fascia via a green and red LED. The ground water alarm is supplied with a broken finger float switch and shroud, this should be set to indicate duty pump failure before the standby pump activates, giving an early warning sign of failure. The foul water alarm is supplied with a robust and reliable pendant type float switch.



TECHNICAL SPECS.

Size	310mm x H: 170mm x D: 78mm
Weight	875g (including battery)
Ground Water Part No.	DMS-190
Foul Water Part No.	DMS-191
Power	200-250V AC (50Hz)
Internal Battery	Pb 6V - 1.2Ah
Sounder	100db @ 30cm Sounder
Operating Temperature	5-40°C
Power Consumption (Idle)	<2W
IP	IP2X
Electrical Requirements (Ground)	2 Spurs
Electrical Requirements (Foul)	1 Spur

GUARANTEE

DeltaHLA is offered with a 24 month component guarantee. This guarantee covers any defects in workmanship, construction or material. This guarantee does not cover, defects caused by incorrect installation, installer error, abnormal working conditions, misuse or neglect.



FEATURES

- Quick and simple installation.
- Robust and reliable.
- 100db sounder for audible warning.
- LED's for visual status and warning.
- Test and reset buttons.
- Battery backup in case of mains failure.
- Easily upgradeable to the AlertMaxx2, Wi-Fi enabled high level alarm for remote monitoring by PPS.

HEALTH & SAFETY

In order to minimise the risk of ill health or accidents when installing and/or servicing pump chambers and associated accessories, workers must be fully trained and competent. The following guidelines will help safeguard matters:

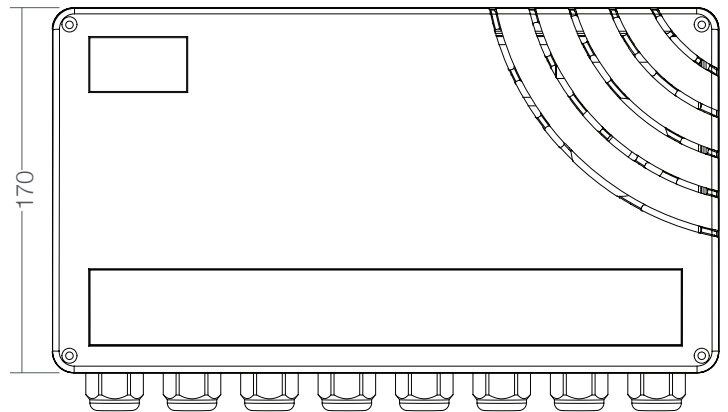
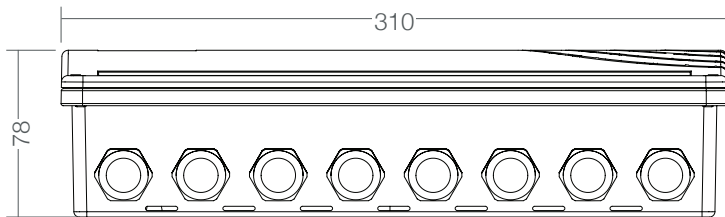
- Assessing the risk and working in accordance with the control measures identified.
- Ensure electrical power to the equipment is isolated before carrying out installation or maintenance.
- A suitable first aid kit must be close to hand.
- The electrical installation must comply with the requirements of BS 7671:2008 'Requirements for Electrical Installations' incorporating amendment 3:2015.

© 2019 Delta Membrane Systems Ltd. All rights reserved. [DHLA-PL-V1-04.19]

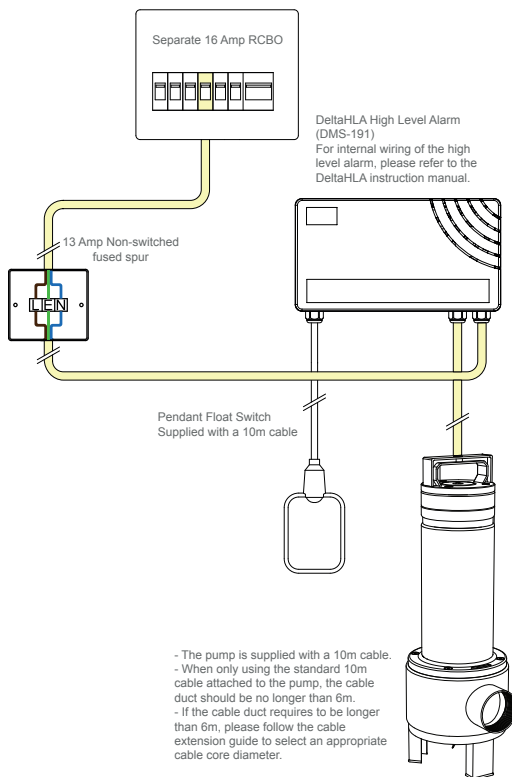
DELTA HLA (DMS-190/191)



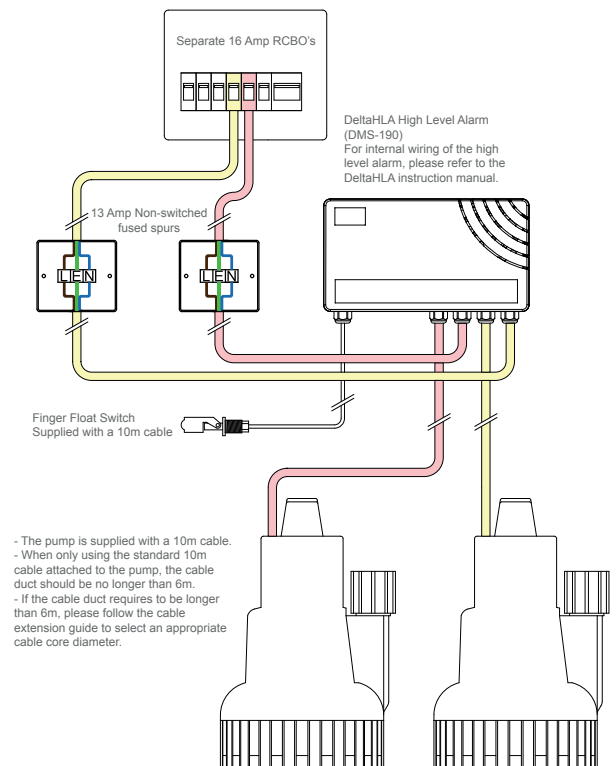
TECHNICAL DRAWINGS



WIRING DIAGRAM - FOUL WATER



WIRING DIAGRAM - GROUND WATER



© 2019 Delta Membrane Systems Ltd. All rights reserved. [DHLA-PL-V1-04.19]